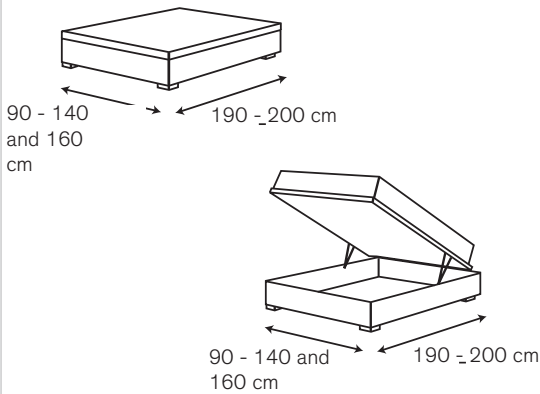




FOUNDATION BOX WITH ELECTRIC OPENING



- Extra flat top cut in extra-wide slats, consisting of a reinforced metal frame, covered with Tript'air® fabric and finished with upholstery fabric
- 2 hydraulic cylinders
- Motorized opening with remote control
- Anti-jamming safety system
- Structure made of laminated wood of 32 mm thickness
- 1 attached handle
- 6 central feet of 5 cm height in black resin
- 4 corner wooden legs in wenge colour
- 1 steel stop positioned at the head, covered with fabric
- Black coloured laminate bottom, 16 mm thick
- 4 aerators

Height : 39 cm | **Finish : 2 colours to choose** | **Dimensions : 90*200, 140*190 and 160*200 cm**

FINISHES :

Upholstery fabric, 2 colours to choose. Depth of storage 30 cm

Storage volume:

- * 540 dm³ for 90*200 cm
- * 800 dm³ for 140*190 cm
- * 960 dm³ for 160*200 cm



Blue velvet

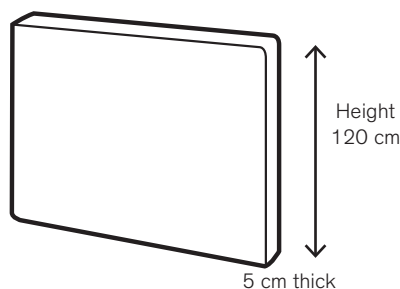
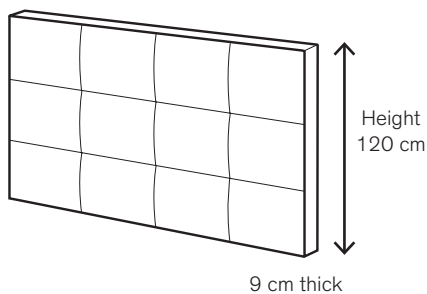


Gray weave

PRODUCT HIGHLIGHTS

Foundation box with a large storage capacity to optimize space in the room (bed linen, duvet, pillows etc.). Made entirely by hand.

Matching headboards



- Wooden structure covered in padding for comfort